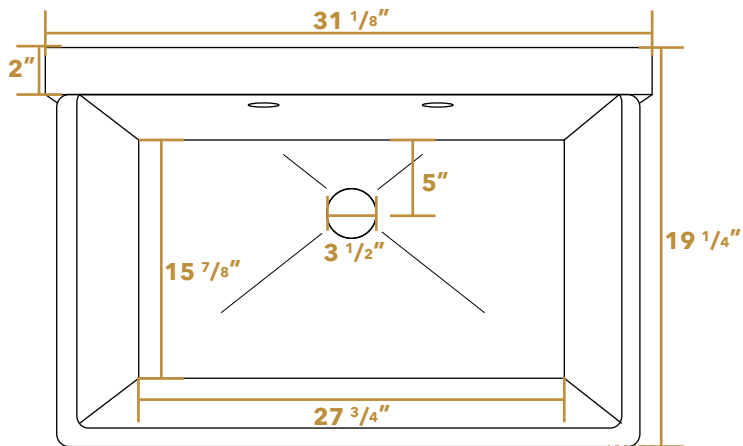


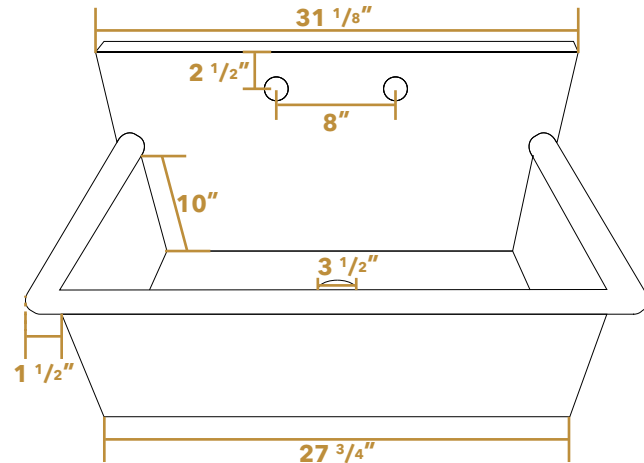
 **Whitehaus**<sup>®</sup>

**WHNC3120**

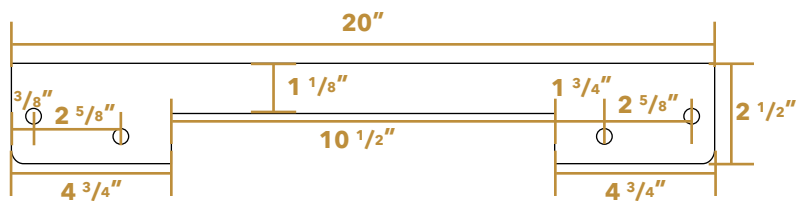
TOP



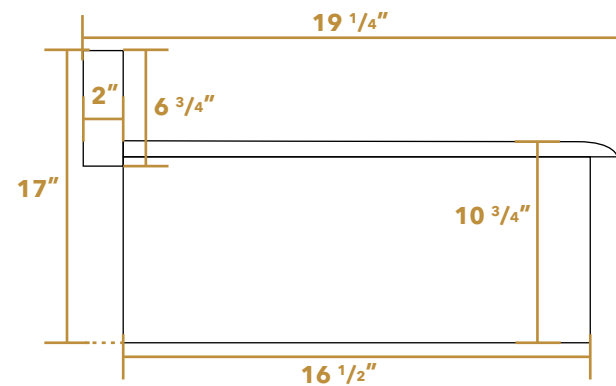
FRONT



FRENCH  
MOUNTING BRACKET



SIDE



**LIVE WITH STYLE!**

P.O. Box 26064, West Haven, CT USA 06516 • [P]: 203.479.8466 • [F]: 203.479.8477  
[Toll Free Phone]: 800.527.6690 • [Toll Free Fax]: 800.694.4837 • [info@WhitehausCollection.com](mailto:info@WhitehausCollection.com)